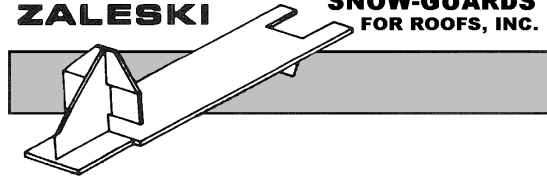
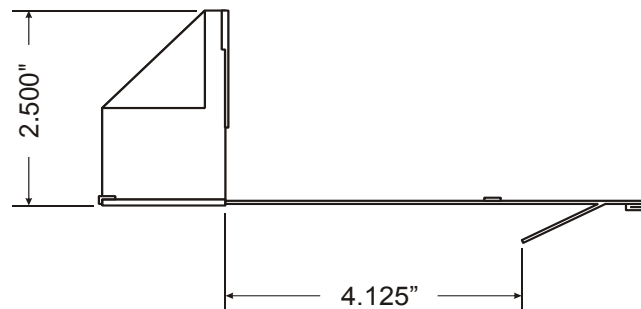
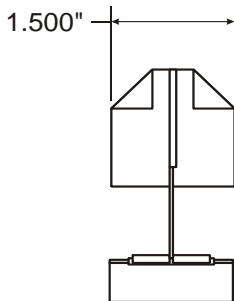
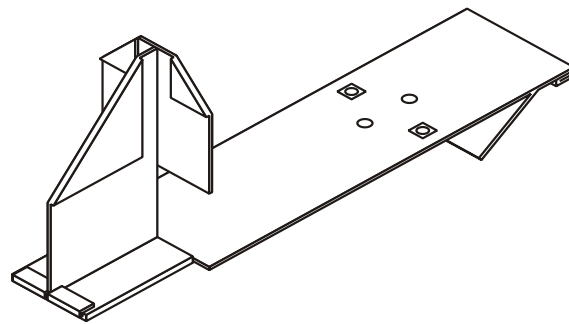
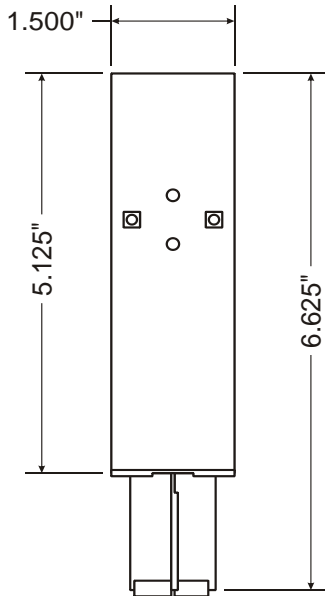


**ZALESKI****SNOW-GUARDS  
FOR ROOFS, INC.***Manufacturers of Snow-Guards  
Since 1950*

Post Office Box 700 06050-0700 ~ 11 Alden Street New Britain, Connecticut 06053  
 telephone 860--225-1614 fax 860--225-1060 e-mail info@snowguards.com  
 www.snowguards.com

## Zaleski Model #8 Snow-Guard (Stainless Steel)



**MATERIAL:** Our model No.-8 Snow-Guard is manufactured using .020 thickness of stainless steel. Since it is double thick the result is  $.020 \times 2 = .040$ .

**TYPE OF ROOF:** Slate, Asphalt, Wood-Shingle, Tile

**FASTENING:** An integral engagement feature of the Snow-Guard hooks over the head edge of slate or tile without nailing. Snow-Guards on asphalt and wood shingles require nailing.