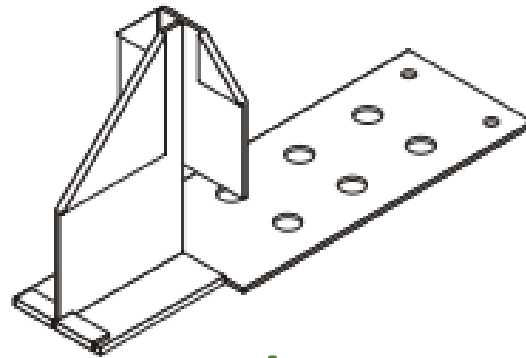
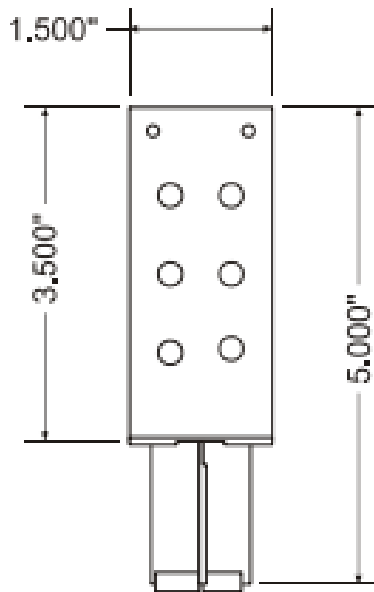


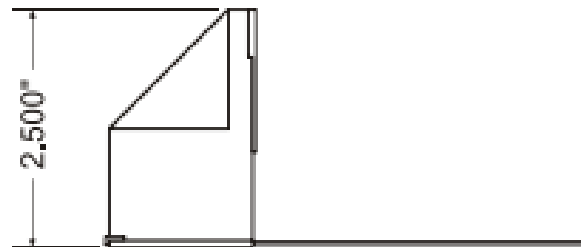
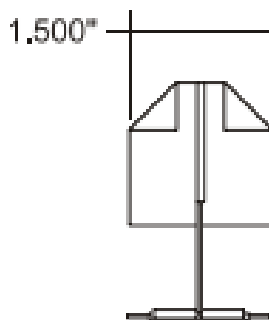
Manufacturers of Snow-Guards
Since 1950

Post Office Box 700 06050-0700 ~ 100 Production Court New Britain, CT 06051
telephone 860--225-1614 fax 860--225-1060 e-mail info@snowguards.com
www.snowguards.com

Zaleski Model #9 Snow-Guard (Stainless Steel)



\$11.00 ea.



MATERIAL: Our model No.-9 Snow-Guard is manufactured using .020 thickness of stainless steel. Since it is double thick the result is $.020 \times 2 = .040$.

Our model No.-9 Terne-Coated Snow-Guard is the same as our model No.-9 Stainless Steel with lead and tin coating applied. The result is Terne-Coated Stainless Steel.

TYPE OF ROOF: Metal roofs other than copper.

FASTENING: Solder, Nails, (Sealant may also be considered)