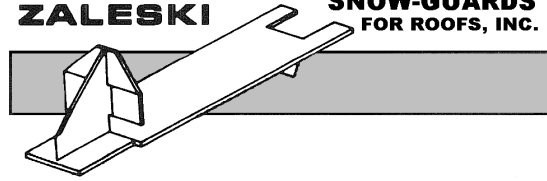
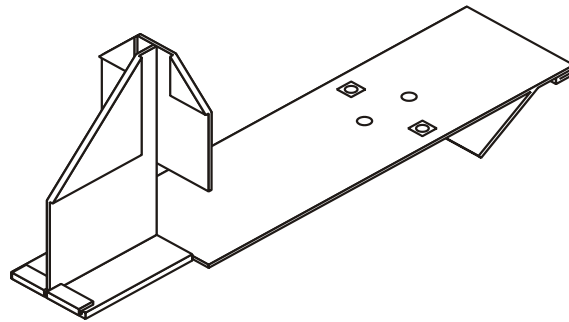
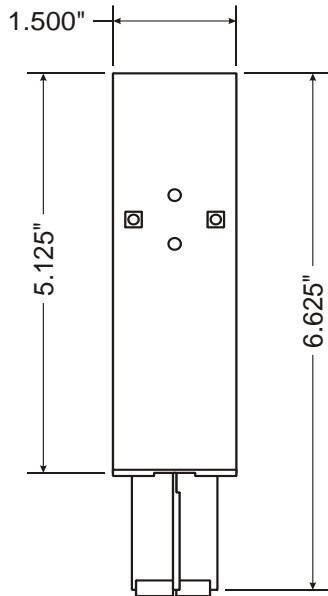


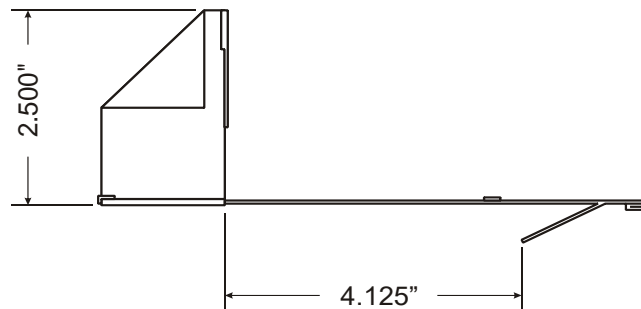
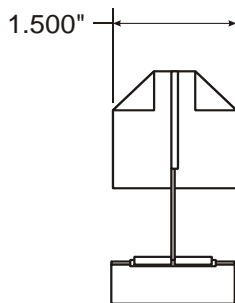
ZALESKI**SNOW-GUARDS
FOR ROOFS, INC.***Manufacturers of Snow-Guards
Since 1950*

Post Office Box 700 06050-0700 ~ 100 Production Court New Britain, CT 06051
 telephone 860-225-1614 fax 860-225-1060 e-mail info@snowguards.com
 www.snowguards.com

Zaleski Model #6 Snow-Guard (Aluminum)



\$8.00ea.



MATERIAL: Our model No.-6 Snow-Guard is manufactured using .020 thickness of Aluminum 5052-H32. Since it is double thick the result is $.020 \times 2 = .040$. Purposed for light duty. Use the model #8 Stainless Steel for heavier snow loads.

TYPE OF ROOF: Slate, Asphalt, Wood-Shingle, Tile

FASTENING: An integral engagement feature of the Snow-Guard hooks over the head edge of slate or tile without nailing. Snow-Guards on asphalt and wood shingles require nailing.