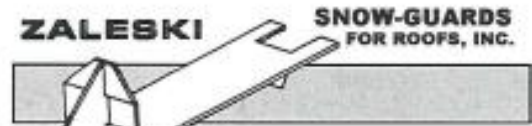


Snow Guard samples sent promptly upon request



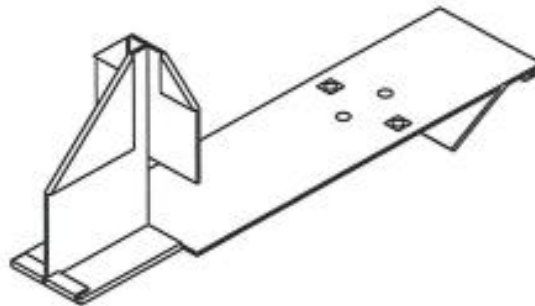
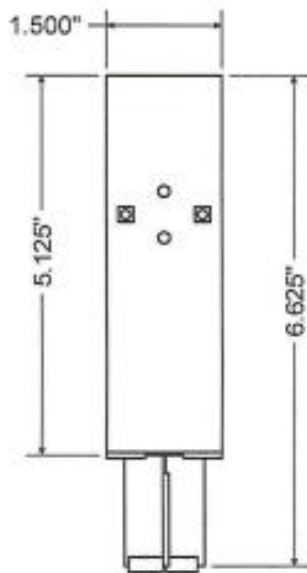
*Manufacturers of Snow-Guards
Since 1950*

100 Production Court New Britain, CT 06051
telephone 860-225-1614 fax 860-225-1060

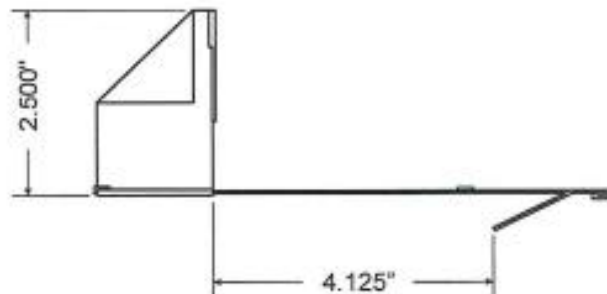
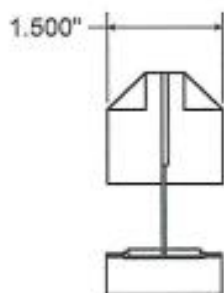
e-mail info@snowguards.com

www.snowguards.com

Zaleski Model #4 Snow-Guard (Copper)



\$10.99ea.



MATERIAL: Our model No.-4 Snow-Guard is manufactured using .020 thickness of cold rolled copper. Since it is double thick the result is $.020 \times 2 = .040$.

TYPE OF ROOF: Slate, Asphalt, Wood-Shingle, Tile

FASTENING: An integral engagement feature of the Snow-Guard hooks over the head edge of slate or tile without nailing. Snow-Guards on asphalt and wood shingles require nailing.