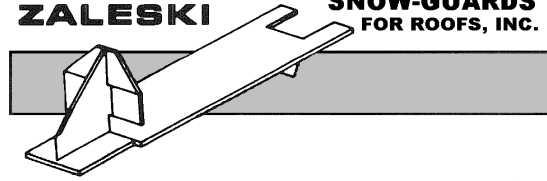


ZALESKI

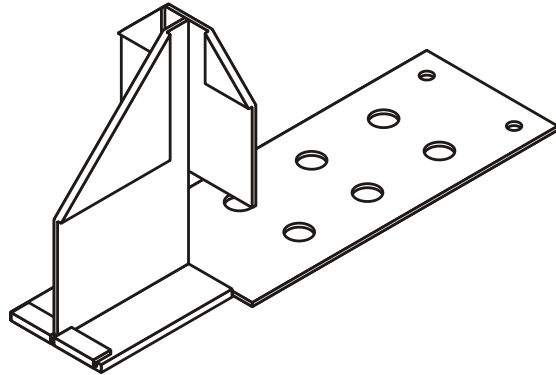
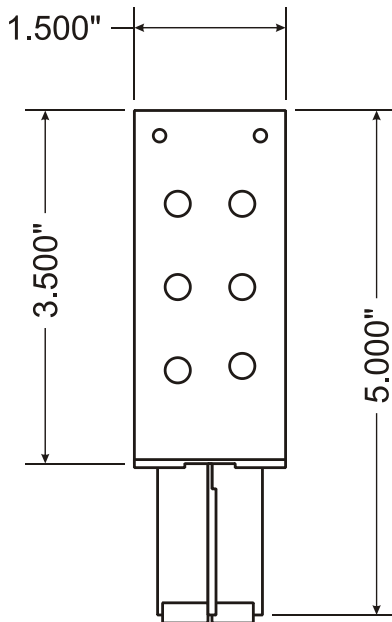
**SNOW-GUARDS
FOR ROOFS, INC.**

*Manufacturers of Snow-Guards
Since 1950*

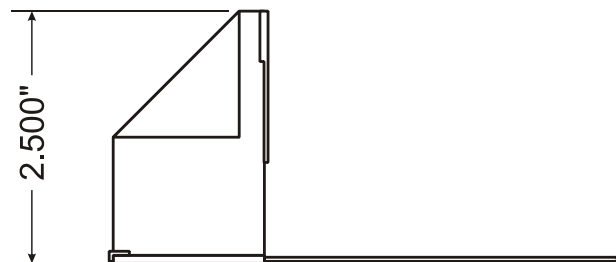
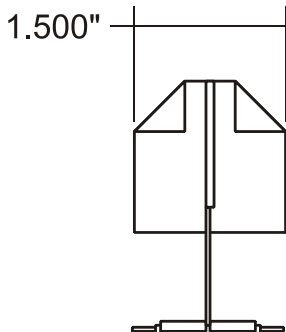


Post Office Box 700 06050-0700 ~ 100 Production Court New Britain, CT 06051
telephone 860--225-1614 fax 860--225-1060 e-mail info@snowguards.com
www.snowguards.com

Zaleski Model #7 Snow-Guard (Copper)



\$13.00 ea.



MATERIAL: Our model No.-7 regular copper snow-guard is manufactured using .020 thickness of cold rolled copper. Since it is double thick, the result is $.020 \times 2 = .040$.

Our Model No. 7 Lead-Coated Copper snow-guard is accomplished when a lead coating is applied to our model No.-7 copper snow-guard.

TYPE OF ROOF: Copper roof

FASTENING: Solder, Nails, (sealant may also be considered)