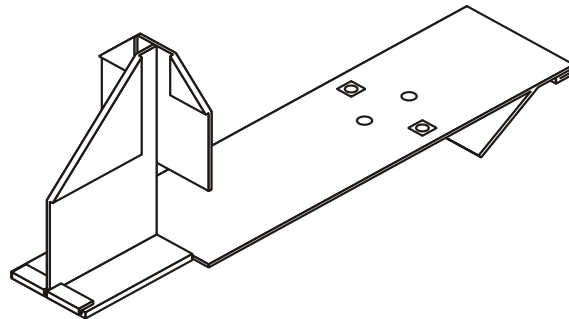
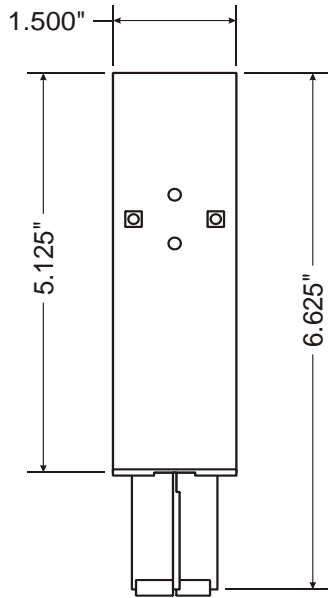


*Manufacturers of Snow-Guards  
Since 1950*

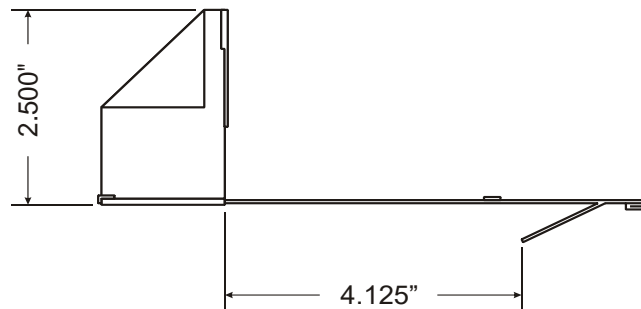
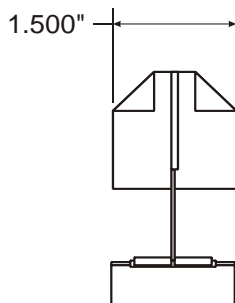
v

Post Office Box 700 06050-0700 ~ 100 Production Court New Britain, CT 06051  
telephone 860--225-1614 fax 860--225-1060 e-mail info@snowguards.com  
[www.snowguards.com](http://www.snowguards.com)

## Zaleski Model #12 Snow-Guard (Lead Coated Copper)



**\$11.50 ea.**



**MATERIAL:** Our model No.-12 Snow-Guard is manufactured using .020 thickness of cold rolled copper. Since it is double thick the result is .020 x 2 = .040.

Then lead coating is applied resulting in a lead-coated copper snow-guard.

**TYPE OF ROOF:** Slate, Asphalt, Wood-Shingle, Tile

**FASTENING:** An integral engagement feature of the Snow-Guard hooks over the head edge of slate or tile without nailing. Snow-Guards on asphalt and wood shingles require nailing.